



ChargePoint® Networked Charging Stations, by Coulomb Technologies, offer municipalities, corporations, fleets, and utilities, high-reliability, plug-in electric vehicle charging that drivers prefer. The easy-to-use stations provide multiple power options, integrating aesthetics and ergonomics with sturdy construction—ideal for residential, commercial and outdoor public applications.

The CT2020 dual charging stations provide two 7.2 kW (208/240 V @ 30 A) Level II charging ports and are designed for public outdoor applications for the North American marketplace. Charging is delivered via standard SAE J1772™ connectors attached to self-retracting¹ cords.

To enhance safety and eliminate energy theft, drivers access and energize the station using a ChargePass™ card or contactless credit card. The station's highly visible display guides drivers with instructive messages and can be used to display custom advertisement or greetings for drivers.

Software Application Services

Set pricing and collect fees, provide 24/7 driver assistance, control access, enable reservations, display advertisements, track usage, and monitor the station remotely using the growing suite of ChargePoint Network on-demand software applications and a web browser.

Utility Light¹

Energy-efficient, photosensor 25 W LED lighting (equivalent to 75W incandescent) provides drivers with the visibility they need to start and stop charging sessions in areas with poor lighting conditions.

Hassle-Free Cord Management¹

The CT2025's self-retracting cord management system eliminates the need for drivers to coil up the J1772™ cord and return it to its host hanger, ensuring that the cord is always off the ground when not in use.

Smart Card Reader

Provide optional driver billing and custom access control, preventing electricity theft and enhancing safety, with an integrated standards-based RFID reader that accepts ChargePass cards, contactless credit cards, and MIFARE-based transportation cards.

Intelligent Power Control

Ensure power is delivered only when a driver is authorized and the EV connector is properly inserted.

Vacuum Florescent Display with Multiple Language Support

Display instructive, advertisement, and greeting messages in many languages on the bright, easy-to-read display.

Integrated Fault Detection

- Ground Fault Detection: Integrated ground-fault detection circuitry with auto retry and driver notification.
- Over-Current Detection: Disconnects power to prevent nuisance breaker trips at service panel. Auto retry and driver notification.
- Plug-Out Detection: Algorithm disengages power and notifies the driver when a plug is removed.

Over-the-Air Station Upgrade

Keep charging station current with future and evolving EV needs by upgrading station firmware remotely over-the-air.

Utility Grade Energy Meter

Provide accurate bi-directional energy measurement with integrated power metering circuitry.

Remote Diagnostics and Control

Minimize the need for on-site maintenance with real-time remote alarm monitoring and control.

Network Interface

Wireless mesh and cellular network interfaces allow seamless integration with the ChargePoint Network and ChargePoint Network application services.

Smart Grid Compatible

Enable Time-Of-Use (TOU) pricing and demand response by integrating with Advanced Metering Infrastructures (AMIs).



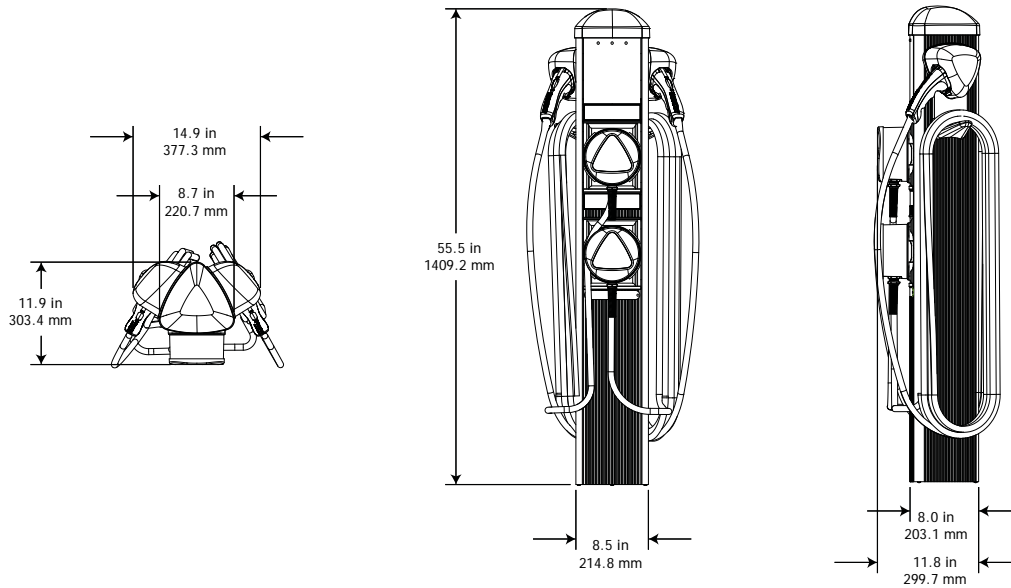
Coulomb Technologies, Inc.
1692 Dell Ave.
Campbell, CA 95008-6901 USA
US toll free: +1-877-370-3802
www.coulombtech.com
www.chargepoint.net

Listed by Underwriters Laboratories Inc.



¹Included on the CT2025 only.

CT2021 - Mechanical Drawings



CT2021 - Front



CT2021 - Side



Electrical Input

Input Power	7.2 kW (x 2)
Input Voltage	208/240 VAC
Input Current	30 A (x 2)
Input Power Connections	Line A1, Line A2, Earth, Line B1, Line B2 (two independent 40 A branch circuits, each providing Line 1 and Line 2. A single protective Earth conductor)
Required Service Panel Breaker	40 A double pole breaker (non-GFCI type) on dedicated circuit (x 2)
Standby Power	7 W typical (not including LED light fixture)

Electrical Output

Output Charging Power	7.2 kW (x 2)
Output Voltage	240 VAC (x 2)
Output Current	30 A (x 2)
Output Charging Connector	SAE J1772™ EV Connector on 18' (5.48 m) cord (x 2). On CT2025 only, cord is self-retracting.

Functional Interfaces

Lighting ¹	280/240 VAC 45 W White LED with daylight sensor
Card Reader	ISO 15693, 14443
Ground Fault Detection	20 mA CCID with auto retry (15 minute delay, 3 tries)
Plug-Out Detection	Power terminated per SAE J1772™ specification
Power Measurement	2% @ 15 minute intervals
Local Area Network	2.4 GHz 802.15.4 dynamic mesh network
Wide Area Network	Commercial GPRS or CDMA cellular data network

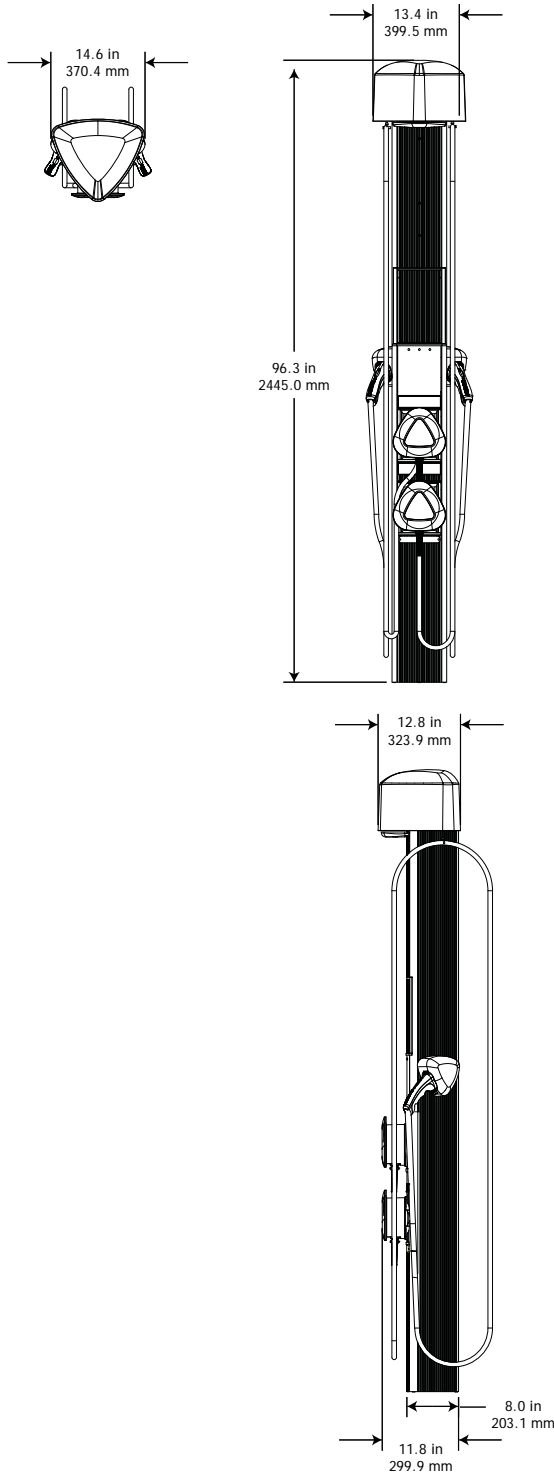
Safety and Operational Ratings

Safety Compliance	UL Listed for USA and cUL certified for Canada; Complies with UL 2594, UL 2231-1, UL 2231-2, UL 1998, UL 991, NEC Article 625
Surge Protection	6 kV @ 3,000. In geographic areas subject to frequent thunderstorms, supplemental surge protection is recommended.
EMC Compliance	FCC Part 15 Class A
Operating Temperature	-22°F to 122°F (-30°C to +50°C)
Operating Humidity	95% non-condensing
Enclosure	Type 3R
Terminal Block Temperature Rating	100°C (212° F)
Maximum Charging Stations per 802.15.4 Radio Group	24. Each station must be within 150 feet "line of sight" of at least one other station.
Approximate Shipping Weights	CT2021: 98 lbs (44.5 kg) CT2025: 140 lbs (63.5 kg)

¹Included on the CT2025 only.

Coulomb Technologies, Inc. reserves the right to alter product offerings and specifications at any time without notice, and is not responsible for typographical or graphical errors that may appear in this document.

CT2025 - Mechanical Drawings



Ordering Information

Specify model number followed by the applicable code(s). The order code sequence is:

Model-Modem-SIM-Card Reader-Warranty

Option	Order Code
<i>Model</i>	
Standard Bollard Mount	CT2021
Bollard Mount with Top Lamp and Cable Retractors	CT2025
<i>Modem</i>	
Integral GPRS ChargePoint Gateway Modem	-GPRS
Integral CDMA ChargePoint Gateway Modem	-CDMA
<i>SIM</i>	
USA GPRS SIM	-SIM1
Canada GPRS SIM	-SIM2
<i>Card Reader</i>	
Contactless Credit Card Reader	-CCR
<i>Warranty</i>	
5 Year Parts Only Extended Warranty	-EW5
5 Year Parts Only Extended Warranty - Gateway	-EW5GW

Order Code Examples

If ordering this	The order code would be
Standard Bollard Mount with GPRS Modem	CT2021-GPRS
Bollard Mount with Top Lamp and Cable Retractors, GPRS Modem, Canada GPRS SIM	CT2025-GPRS-SIM2
Standard Bollard Mount with USA GPRS Modem, Contactless Credit Card Reader, and 5 Year Warranty	CT2021-GPRS-SIM1-CCR-EW5GW

For pricing and additional product information, contact the distributor in your area.
For a complete list of distributors, go to www.coulombtech.com and click Purchase.

Coulomb Technologies, Inc. - 1692 Dell Ave. - Campbell, CA 95008-6901 USA
408.841.4500 - 877.370.3802 - info@coulombtech.com
www.coulombtech.com - www.chargepoint.net

Listed by Underwriters Laboratories Inc. 