

ChargePoint® CP6000 Series — Fleet

Specifications and Ordering Information



Dual port, pedestal mount, 23 ft cable

Ordering Information

The order codes below represent specific product configurations. Please contact ChargePoint Sales for additional information.

Specify model number followed by the applicable code(s).

The order code sequence is: **Model-Options. Software, Services** and **Misc.** are ordered as separate line items.

Hardware

Description		Order Code
Model	80A Dual port, pedestal mount, 23 ft cable	CP6011X-80A-L7
	80A Single port, pedestal mount, 23 ft cable	CP6013X-80A-L7
	80A Dual port, wall mount, 23 ft cable	CP6021X-80A-L7
	80A Single port, wall mount, 23 ft cable	CP6023X-80A-L7
Misc.	Bollard Concrete Mounting Kit	CP6K-CMT

Software & Services

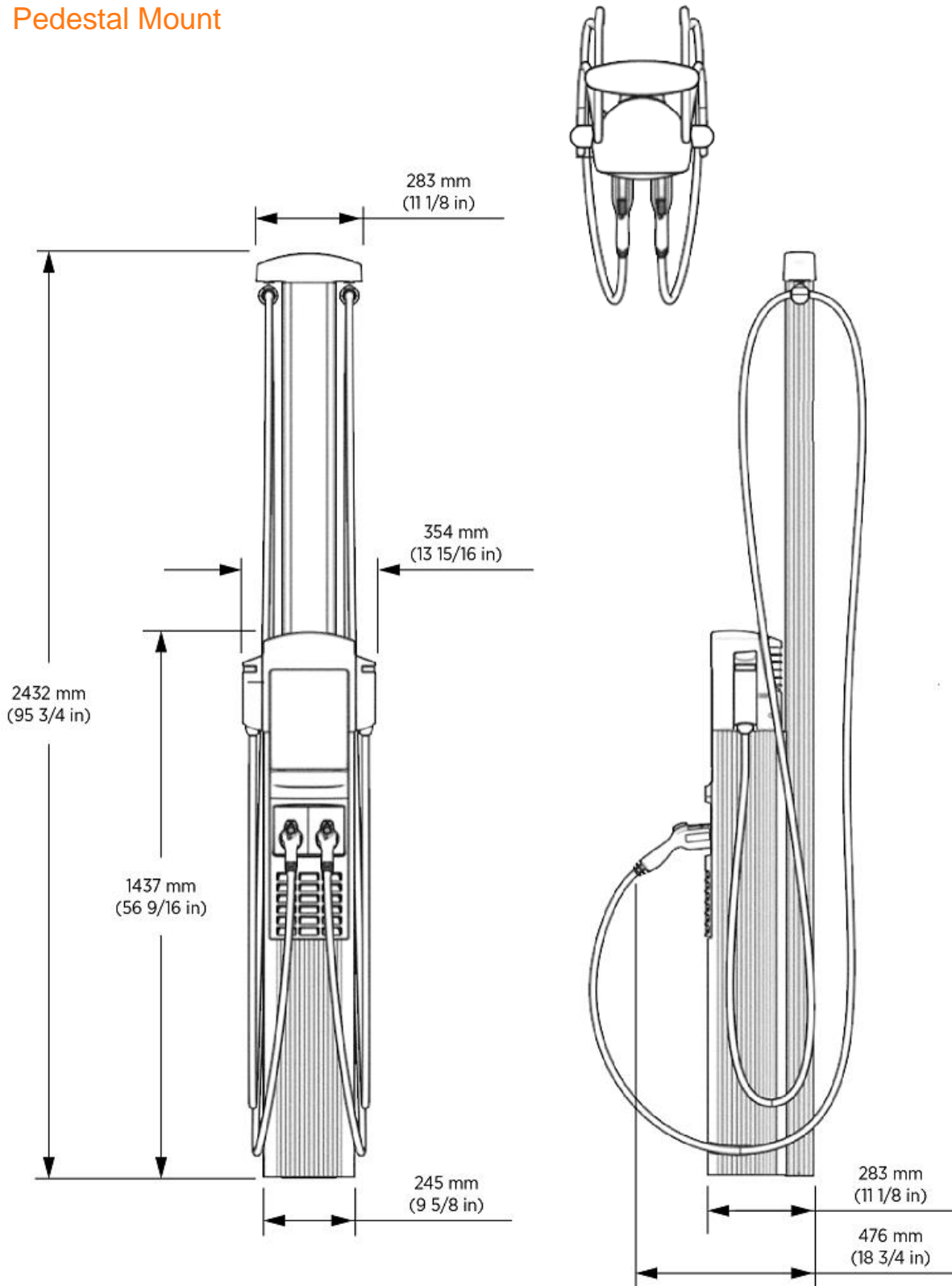
Description	Order Code
ChargePoint Power Plan	CPCLD-POWER- <i>n</i> *
ChargePoint Enterprise Plan	CPCLD-FLEETENT- <i>n</i> *
ChargePoint Fleet Commercial	CPCLD-FLEETCOMM- <i>n</i> *
ChargePoint Assure	CP6000-ASSURE- <i>n</i> *
Station Activation and Configuration	CPSUPPORT-ACTIVE
ChargePoint Site Validation	CPSUPPORT-SITEVALID
ChargePoint Installation and Validation	CP6000-INSTALLVALID

Note: All CP6000 stations require a network service plan per port.

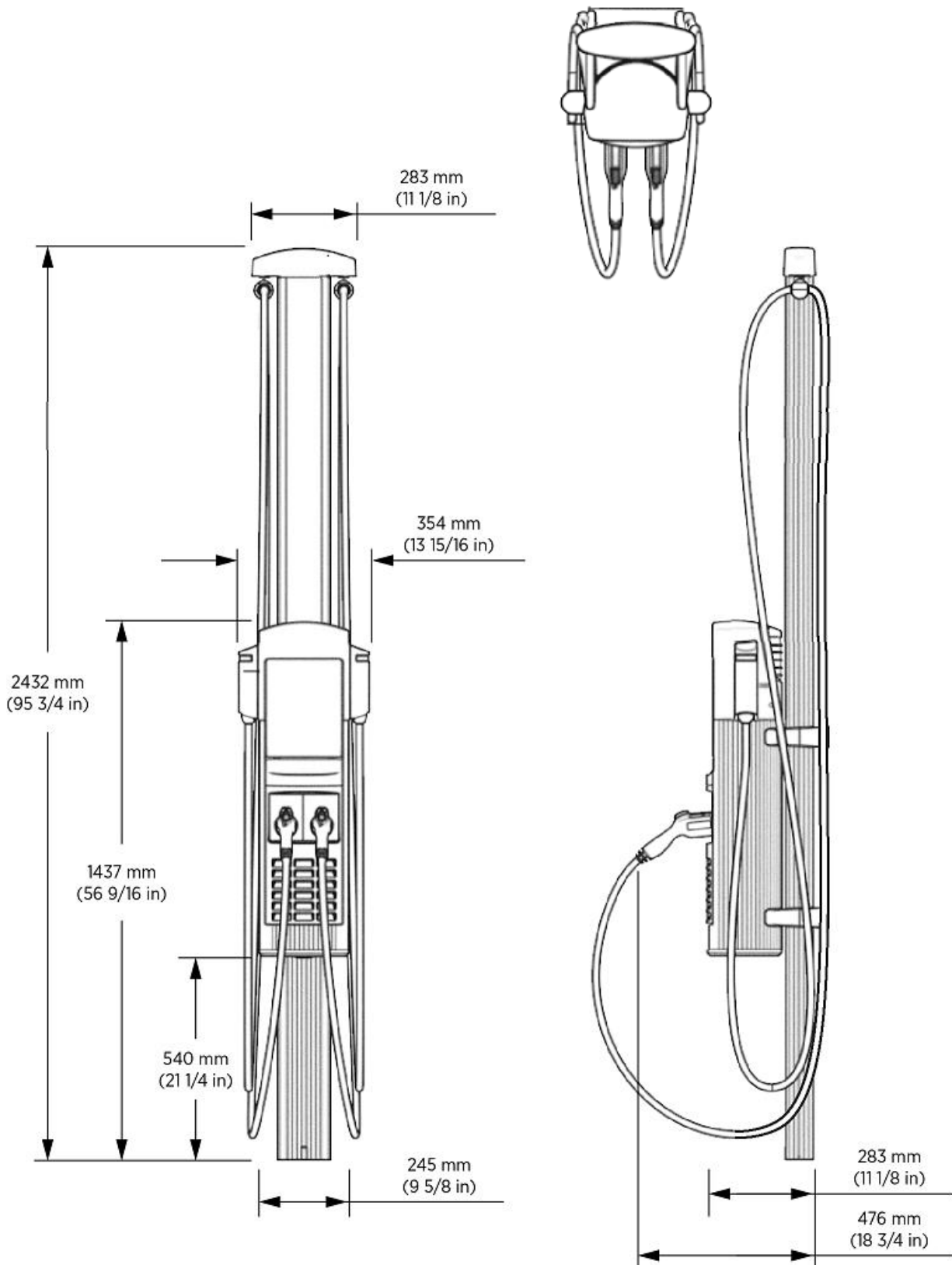
*Substitute *n* for desired years (1, 2, 3, 4 or 5 years)

Architectural Drawings and Dimensions

Pedestal Mount



Wall Mount



General Specifications

Electrical Input

The CP6000 supports flexible wiring and power settings up to 80A. Power Select allows stations to be installed and configured for current lower than the maximum 80A. Power Select current options include 40A, 48A, 56A, and 64A.

Power Share allows a dual-port station to share power from a single circuit across two ports, adjusting power depending on whether one or both are charging. Standard wiring uses an independent circuit for each port. Power Share can be used in combination with Power Select.

Electrical Input	Single Port (AC Voltage 208 / 240V AC)			Dual Port (AC Voltage 208 / 240V AC)		
	Input Current	Input Power Connection	Required Service Panel Breaker	Input Current	Input Power Connection	Required Service Panel Breaker
Maximum 80A (Standard)	80A	One 100A branch circuit	100A dual pole (non-GFCI)	80A x 2	Two independent 100A branch circuits	100A dual pole (non-GFCI) x 2
Maximum 80A (Power Share*)	N/A	N/A	N/A	80A	One 100A branch circuit	100A dual pole (non-GFCI)
Power Select** 40A - 64A (Standard)	40A - 64A	One branch circuit rated 125% of input current (50A - 80A)	Dual pole (non-GFCI) rated 125% of input current (50A-80A)	40A - 64A x 2	Two independent branch circuits rated 125% of input current (50A - 80A)	Dual pole (non-GFCI) rated 125% of input current x 2
Power Select 40A - 64A (Power Share)	N/A	N/A	N/A	40A - 64A	One branch circuit rated 125% of input current (50A - 80A)	Dual pole (non-GFCI) rated 125% of input current (50A - 80A)
Service Panel/Breaker GFCI	Do not provide external GFCI as it may conflict with internal GFCI (CCID)					
Wiring – Standard	3-wire (L1, L2, Earth) No neutral			5-wire (L1, L1, L2, L2, Earth)		
Wiring – Power Share	N/A			3-wire (L1, L2, Earth)		
Line to Ground Voltage	120V +/- 10%					

Electrical Output

Electrical Output	Single Port (AC Voltage 208 / 240V AC)	Dual Port (AC Voltage 208 / 240V AC)
Maximum 80A (Standard)	19.2 kW (240V AC @ 80A)	19.2 kW (240V AC @ 80A)
Maximum 80A (Power Share)	N/A	19.2 kW (240V AC @ 80A) x 1 or 9.6 kW (240V AC @ 40A) x 2
Power Select 40A - 64A (Standard)	9.6 kW – 15.4 kW (240V AC @ 40A - 64A)	9.6 kW - 15.4 kW (240V AC @ 40A - 64A) x 2
Power Select 40A - 64A (Power Share)	N/A	9.6 kW - 15.4 kW (240V AC @ 40A - 64A) x 1 or 4.8 kW – 7.7 kW (240V AC @ 20A - 32A) x 2

Mounting and Functional Interfaces

Connector Type	SAE J1772™
Number of Ports	Single, dual
Mounting	Pedestal, wall
Cable Length	23 ft (7 m)
Cable Management	Yes
Authentication	RFID: ISO 15693, ISO 14443, NEMA EVSE 1.2-2015 (UR) NFC (Tap to Charge) Remote: mobile and in vehicle (if supported by vehicle)
Locking Holster	Yes
ISO 15118 Protocol	Supported

Safety and Connectivity Features

Ground Fault Detection	20 mA CCID with auto retry
Open Safety Ground Detection	Continuously monitors presence of safety (green wire) ground connection
Plug-Out Detection	Power terminated per SAE J1772™ specifications

ChargePoint® CP6000 Series — Fleet

Power Measurement Accuracy	+/- 2% from 2% to full scale
Power Report/Store Interval	15-minute interval aligned to hour. Responsive to load management signals.
Local Area Network	Wi-Fi 2.4 GHz and 5GHz (802.11 a/n/b/g)
Wide Area Network	LTE Category 4
Network Communication Protocol	OCPP 2.0.1
Ethernet connection	Capable with accessory

Safety and Operational Ratings

Station Enclosure Rating	Type 3R
Station Surge Protection	6 kV @ 3,000A. In geographic areas subject to frequent thunderstorms, supplemental surge protection at the service panel is recommended.
EMC Compliance	FCC Part 15 Class A
Operating Temperature	-40°C to 50°C (-40°F to 122°F)
Non-Operating Temperature	-40°C to 60°C (-40°F to 140°F)
Terminal Block Temperature Rating	105°C (221°F)
Operating Humidity	Up to 85% @ 50°C (122°F) non-condensing
Non-Operating Humidity	Up to 95% @ 50°C (122°F) non-condensing



ChargePoint, Inc.
240 East Hacienda Avenue
Campbell, CA 95008-6617 USA

Contact Us
Visit [chargepoint.com](https://www.chargepoint.com)

ChargePoint ® CP6000 Series — Fleet

ChargePoint, Inc. ("ChargePoint") reserves the right to alter product offerings and specifications at any time without notice. ChargePoint is not responsible, and disclaims any and all liability, for typographical or graphical errors, inaccuracies, or incompleteness that may appear in this document. This document does not expand or otherwise modify ChargePoint's terms and conditions of purchase, including but not limited to the warranty expressed therein.

Copyright © 2022 ChargePoint, Inc. All rights reserved. CHARGEPOINT is a U.S. registered trademark/service mark, and an EU registered logo mark of ChargePoint, Inc. ASSURE and CHARGEPOINT AS A SERVICE are U.S. registered trademarks of ChargePoint Inc. All other products or services mentioned are the trademarks, service marks, registered trademarks or registered service marks of their respective owners